

#### Product Features

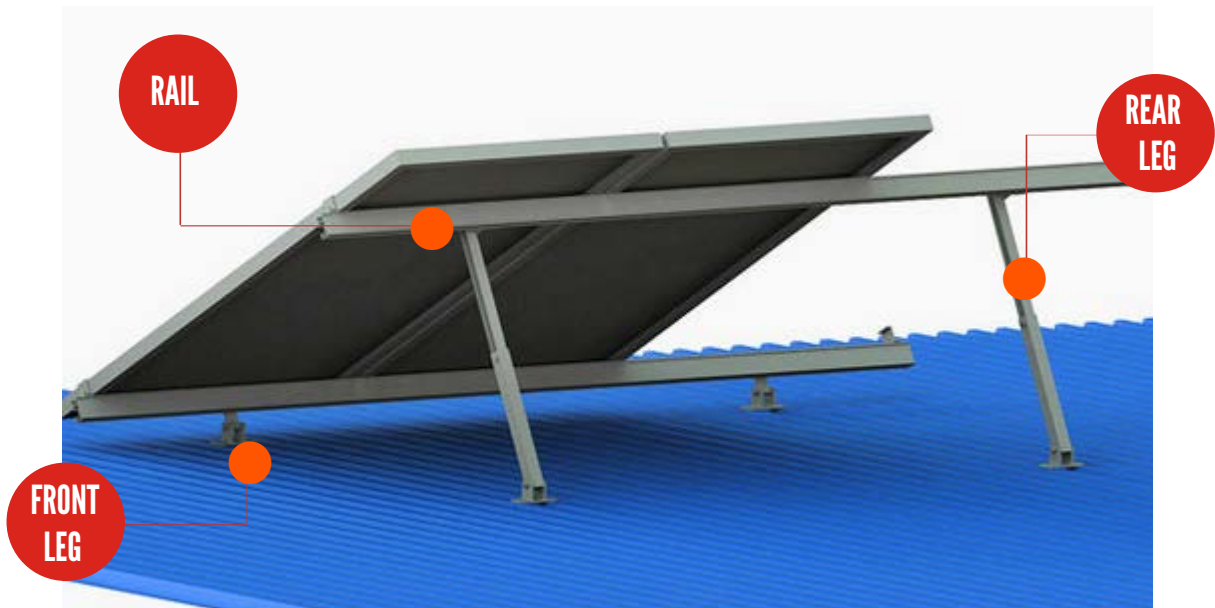
- Widely used for both crystalline and thin film modules.
- Easy & quick installation.
- Only 3~4 kinds of components and no more than two kinds of tools in whole system fixation.
- All system components are made with high quality aluminum & stainless steel.

#### Technical Data

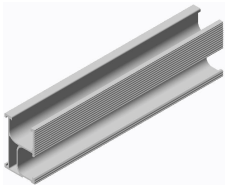
Project site	Metal sheet roof, flat roof
Slope of roof	Up to 60°
Max Building Height	Up to 20m
Wind Load	60m/s
Snow Load	1.4kn/ m <sup>2</sup>
Applicable Module	Frame / frameless module, crystalline/ thin film module
Module Orientation	Landscape or portrait
Standard	AS/NZS 1170
Material	Stainless steel 304, Al6005-T5



## System Overview



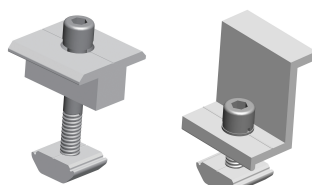
## Key Components



GS Rail



Rail Joiner

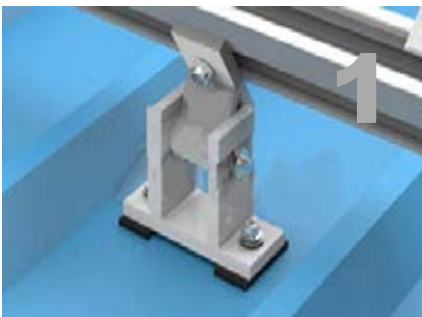


Module Clamps



Tilt Leg

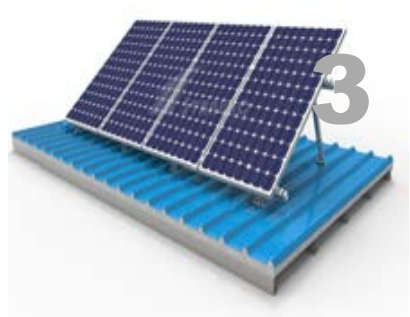
## Installation



Fasten the base of tilt leg by the two tapping screws.



Fix the GS rail to the tilt leg with GS rail clip.



Fix the module on the rail by mid clamps and end clamps.